



User Manual Nanight Tech 2 Dive light

Thank you for choosing a dive light from Nanight! The light is designed for diving at depths of up to 100m. We at Nanight hope your new light will give you many rewarding days and nights of diving!

PRODUCT DESCRIPTION

- LED Type: Cree XHP35
- Battery: 14,4V Panasonic Li-Ion, 6700 mAh
- 4-step dimming
- Operating temperature: 0 – 35°C
- Light output 4000lm
- Burn time at full power: 90min. See [burn time graph](#) at end.



NANIGHT TECH 2 INCLUDES

- Dive light
- Charger
- Lens 10°
- Soft goodman handle
- Case

WARNING:

The battery pack in this light is of Li-Ion type. This kind of battery may explode if charged incorrectly, short circuited or damaged in any way. Charge the light outside away from flammable materials. Never charge the light in direct sunlight or in temperatures above 35°C. If the light or battery becomes hot, immediately disconnect the charger, open the light and place the light in a fire proof area outside and don't use the light again until a Nanight service center has checked the light. Never use a light that has been flooded. Regularly open the canister and check for over pressure if the light is equipped with an external charging port. Replace the battery if the battery is damaged or have significantly lost capacity. Only use original Nanight battery packs with this product.

When diving in dark water, a backup dive light should always be brought.

Nanight Tech 2 is a bright light. Never direct the light directly into the eyes of yourself or others.

When using the dive light above water, it may become hot.

Be careful not to burn yourself or others.

Do not disassemble the dive light while it's still wet.

CHARGE THE BATTERY

Charge with charge port:



- Open the lid of the charge port, located at the battery canister, by pressing the lid and unscrew counterclockwise.
- Connect the charger to the wall and plug in the DC connector to the light.
- The charger will indicate charging by a red LED. A green led will indicate completed charge.
- Disconnect the charger, inspect the o-ring for damages and dirt. Replace o-rings or clean them if necessary, refit the lid and make sure it is in the locked position.

Charge without charge port

- Open the battery canister by unscrewing tube.
- Disconnect the battery connector by pulling the connector apart. Never pull the cables!
- Connect the charger connector to the battery connector. It is important that the connectors are connected to each other in the correct orientation.
- Plug the charger into a wall outlet. The charger's indicator LED changes from red to green when the battery is fully charged.
- When the battery is fully charged, disconnect the charger connector and reconnect the dive light connector. It is important that the connectors are connected to each other in the correct orientation.
- Inspect the o-ring for damages and dirt. Replace o-rings or clean them if necessary.
- Make sure that the rubber bands around the battery is tight and keeps cable and connector in place.
- Close the canister by pushing the canister tube past the first o-ring. Tighten the tube by turning it clockwise. Be careful so that the parts threading properly against each other. Make sure that the tube cover the o-rings completely.



CHANGING THE LENS

- Open the light head by unscrewing the light head tube counterclockwise and pull the tube carefully.
- Remove the lens manually by gently wiggling it.
- Insert the new lens, being careful so that its legs are aligned correctly in the light base.
- Inspect the o-ring for damages and dirt. Replace o-rings or clean them if necessary.
- Close the light head by pushing the tube past the first o-ring. Tighten the housing tube by turning clockwise. Be careful so that the parts are threading correctly to each other. Make sure that the tube cover both o-rings.

USAGE

The drop-shaped knob controls the functionality of the light. Loosening or tightening the screw can adjust knob friction.

SWITCH THE LIGHT ON

- Turn the knob clockwise.
- If the battery level falls below 10%, the amount of light will automatically be reduced to optimize the battery performance and allow the user to terminate the dive safely.

SWITCH THE LIGHT OFF

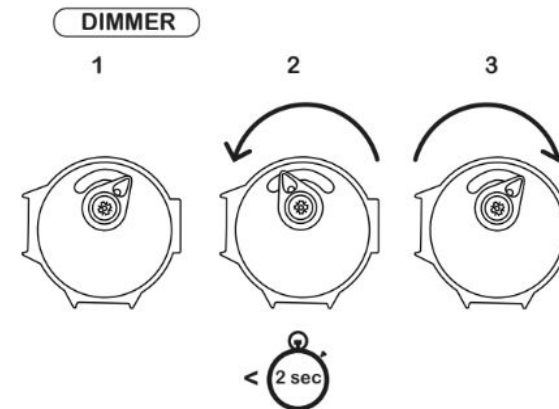
- Turn the knob counterclockwise until it touches the locking position, the light will go off with a delay of 2 seconds.

- Turn the knob counterclockwise past the locking position, to ensure that the light does not come by accident, for example during transport.

DIM THE LIGHT

- Turn the knob counterclockwise until it touches the locking position, and back again within 2 seconds.
- Repeat the maneuver for further dimming.
- In this way, the light is dimmed gradually in four steps, and back again to the highest brightness

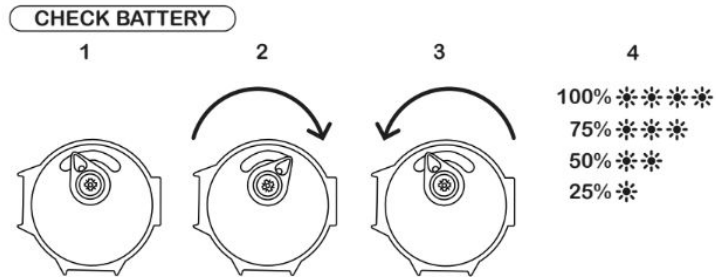
Note that the light automatically dims down when the battery level drops below 10%.



BATTERY LEVEL INDICATION

There are two different versions of the battery indication on the market, **flashing** and **colored leds**.

Flashing: Turn the light on and immediately off. The light will indicate the battery level with 1-4 flashes where 4 flashes indicates 100% charge level.



Colored leds: A colored led seen in the lens, indicates the battery level each time the light is switched off.

Green : 100-65%

Amber: 65-33%

Red : 33-0%



USE OF SOFT GOODMAN HANDLE

The soft goodman handle is mounted on the hand as shown in the picture below. One sling in the palm and the other around the wrist.



AFTER USE MAINTENANCE

- Rinse the dive light with fresh water after use.
- Lubricate the o-rings with silicone grease if necessary.
- Disconnect the battery if the light is not used for long periods or when transporting by air.
- Inspect the o-ring for damages and dirt. Replace o-rings or clean them if necessary.
- Charge the light at least every 6 month.

RECYCLING

This product contains electronic components and must not be disposed of with household waste. Leave the product for recycling in designated areas, such as municipal recycling center.

WARRANTY

Provided the product is used as intended, one year of warranty is given on the light. The warranty is valid provided that a receipt of the purchase can be presented, and includes repair or replacement of defective parts.

CONTACT INFORMATION

Nanight AB
Åkeredsvägen 1
421 63 Västra Frölunda

info@nanight.se
www.nanight.se

